

Kitchen tap

QTOO collection

d line

PRODUCT DATA SHEET

ITEM NUMBER	SURFACE
QT2100M	Satin stainless steel
QT2100P	Polished stainless steel
QT2100xxx	PVD colours

PICTURE



PRODUCT

Kitchen tap in marine grade stainless steel.

TENDER TEXT

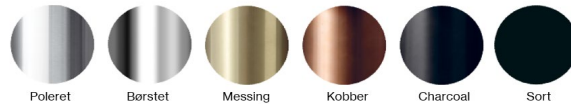
Kitchen tap in marine grade stainless steel. Conforms to CSA with min. 500.000 operation cycles securing long life span. Lead free compliant and 10 year full warranty.

PRODUCT SPECIFICATION

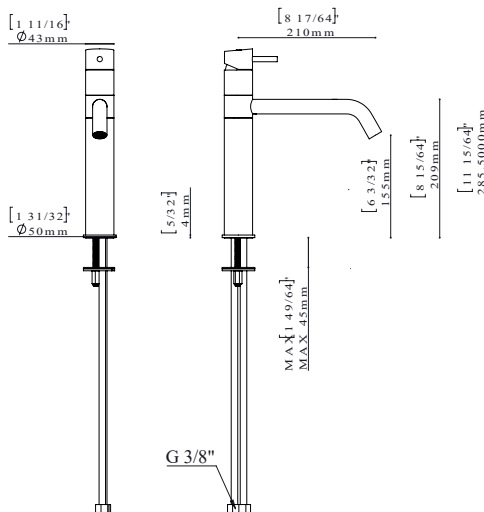
7 7/8" _200mm projection
Swivel spout
Built-in aerator
Total height 11" _280mm
Height to aerator 6 3/32" _155mm
2x 3/8" flexible supply lines
Water flow rate limited to max. 2.2 gpm _8.4 ltr.
Marine grade stainless steel AISI316
Lead free compliant

PVD colours:

Satin brass (MP3) - Satin copper (MP2) - Satin Charcoal (MP4) - Polished brass (PP3) - Polished copper (PP2) - Polished Charcoal (PP4)



DRAWING



PART LIST

PRODUCT CARE

d line products are produced in the highest quality stainless steel, marine grade, AISI 316. To sustain the unique d line finish appearance please follow the below instructions:

- Wash down the surfaces using soapy water or mild detergent
- Always thoroughly rinse off with clean water
- To complete the cleaning procedure dry/polish the surfaces with a soft dry cloth

Please do not use scouring powder, steel wool, chloride based detergents or other aggressive cleaning products as these may damage the surface.

If spots or corrosion appear on the surface it is not due to the stainless steel quality, but to impurities in the environment, aggressive conditions or improper or insufficient cleaning.

Link to our maintenance guide: <https://dline.com/maintenance/>