

# Fat lever handle, 8x8

Tom Dixon FAT collection

d line

## PRODUCT DATA SHEET

### ITEM NUMBER

42.9007.02.001  
42.9007.P4.001  
47.9007.F1.001

### SURFACE

Satin Stainless Steel  
Satin stainless steel, PVD charcoal  
Polished stainless steel, electric blue

### PRODUCT

Fat lever handle. 8x8, Ø70 cc30-38, 33-59, satin.

### PICTURE



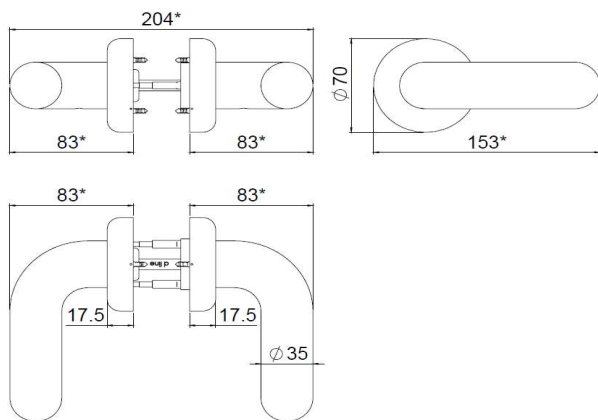
### TENDER TEXT

Fat lever handle. 8x8, Ø70 cc30-38, 33-59, satin. The FAT collection is a series of architectural hardware pieces designed by English industrial designer Tom Dixon. Angular and bulbous, the pieces are a testament to form following function, whilst maintaining a humorous silhouette and a reductionist aesthetic. FAT is part of a fuller series by Tom Dixon including dining chairs, bar stools and lounge chairs. Material: stainless steel AISI 316 satin finish. L:153 mm x W:82 mm x H:70 mm x D:Ø35mm.

### PRODUCT SPECIFICATION

Dimensions: L:153 mm x W:82 mm x H:70 mm. Diameter : Ø35mm.  
Material: stainless steel AISI 316  
Surface finish: satin grain 320, crafted by hand  
Warranty for stainless steel - 20 years

### DRAWING



### SPARE PARTS / ACCESSORIES:

D0000004621 - Spindle 8 x 8 x 92 mm  
14970102019 - Grub screw M5 x 8.3 mm  
14970102196 - Machine screw M4 x 16  
14976500157 - Allen key 3 mm  
P0000000081 - Sectioned bolt M4 x 110 mm  
D0000007732 - Wood screw 4.2x12 Zn DIN7983

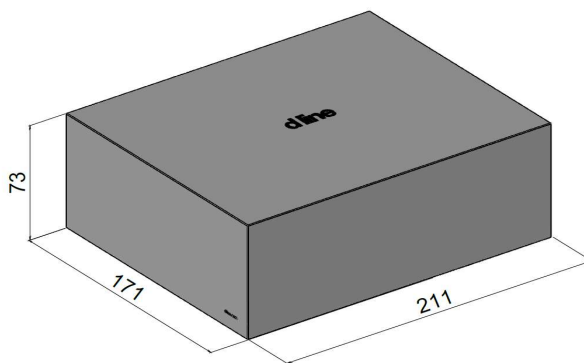
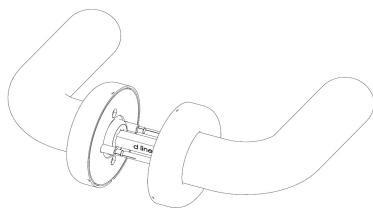
### MOUNTING:

See instruction supplied with product.

### PACKING:

1 pcs. per box

### ISO-DRAWING



### PRODUCT CARE

To sustain the unique d line finish appearance please follow the below instructions:

- Wash down the surfaces using soapy water or mild detergent
- Always thoroughly rinse off with clean water
- To complete the cleaning procedure dry/polish the surfaces with a soft dry cloth

Please do not use scouring powder, steel wool, chloride based detergents or other aggressive cleaning products as these may damage the surface.

If spots or corrosion appear on the surface it is not due to the stainless steel quality, but to impurities in the environment, aggressive conditions or improper or insufficient cleaning.