

Fat escutcheon w/PZ hole, Ø70x6mm

Tom Dixon Collection

d line

PRODUCT DATA SHEET

ITEM NUMBER 45.9003.01.060
SURFACE Polished brass

PRODUCT
Fat escutcheon w/PZ hole, Ø70x6mm, cc38/27mm, brass.

PICTURE



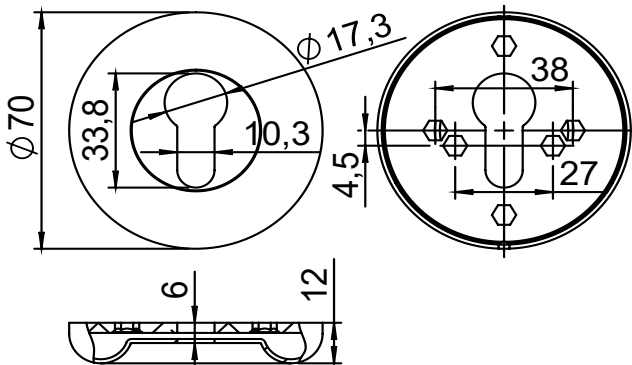
TENDER TEXT

Fat escutcheon w/PZ hole, Ø70x6mm, cc38/27mm, brass. The FAT collection is a series of architectural hardware pieces designed by English industrial designer Tom Dixon. Angular and bulbous, the pieces are a testament to form following function, whilst maintaining a humorous silhouette and a reductionist aesthetic. FAT is part of a fuller series by Tom Dixon including dining chairs, bar stools and lounge chairs. Material: polished brass.
W:70 mm x H:70 mm x D:12 mm.

PRODUCT SPECIFICATION

Dimensions: W:70 mm x H:70 mm x D:12 mm.
Material: brass
Surface finish: polished, crafted by hand
Warranty for brass parts - 20 years

DRAWING



SPARE PARTS / ACCESSORIES:

P0.0000.00.080 - Sectioned bolt M4 x 110 mm with bush, set of 2 (not included)
P0.0000.00.302 - Wood screw, Ø4x12mm, 4pcs.(option for old doors, included)

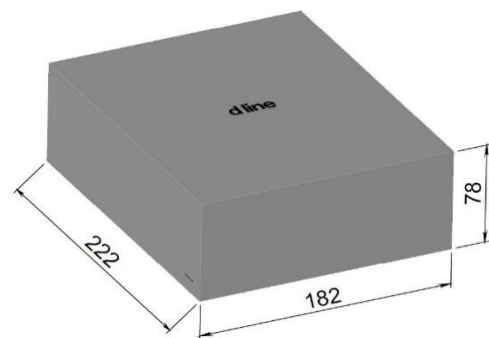
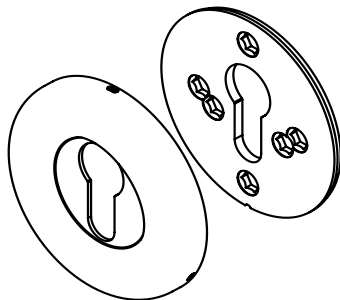
MOUNTING:

Mounting with sectioned bolts (needs to be ordered separately), or wood screws for old doors (included 4pcs.).

PACKING:

30 pcs. per box

ISO-DRAWING



PRODUCT CARE

d line products are produced from brass. To sustain the unique d line finish appearance please follow the below instructions

- Wash down the surfaces using soapy water or mild detergent
- Always thoroughly rinse off with clean water
- To complete the cleaning procedure dry/polish the surfaces with a soft dry cloth

Please do not use scouring powder, steel wool, chloride based detergents or other aggressive cleaning products as these may damage the surface.