

# Fat lever handle, 8x8

Tom Dixon FAT collection

d line

## PRODUCT DATA SHEET

**ITEM NUMBER** 45.9007.01.001  
**SURFACE** Polished brass

**PRODUCT**  
Fat lever handle. 8x8, Ø70 cc30-38, 33-59, brass.

### PICTURE



### TENDER TEXT

Fat lever handle. 8x8, Ø70 cc30-38, 33-59, brass. The FAT collection is a series of architectural hardware pieces designed by English industrial designer Tom Dixon. Angular and bulbous, the pieces are a testament to form following function, whilst maintaining a humorous silhouette and a reductionist aesthetic. FAT is part of a fuller series by Tom Dixon including dining chairs, bar stools and lounge chairs. Material: brass. L:153 mm x W:82 mm x H:70 mm x D:Ø35mm.

### PRODUCT SPECIFICATION

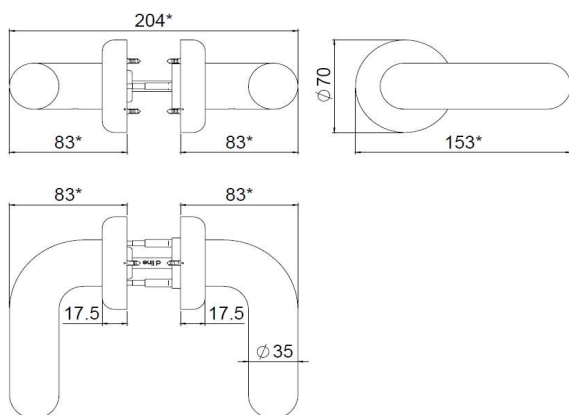
Dimensions: L:153 mm x W:82 mm x H:70 mm. Diameter : Ø35mm.

Material: brass

Surface finish: polished brass, crafted by hand

Warranty for stainless steel - 20 years

### DRAWING



### SPARE PARTS / ACCESSORIES:

14281092092 - Spindle 8 x 8 x 92 mm  
14970102019 - Grub screw M5 x 8.3 mm  
14970102196 - Machine screw M4 x 16  
14976500157 - Allen key 3 mm  
P0000000081 - Sectioned bolt M4 x 110 mm  
D0000007732 - Wood screw 4.2x12 Zn DIN7983

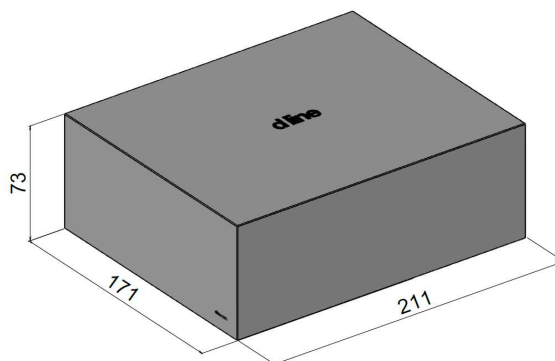
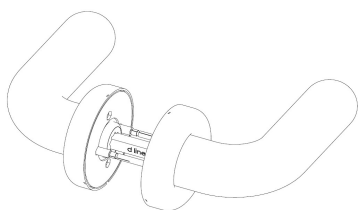
### MOUNTING:

See instruction supplied with product.

### PACKING:

1 pcs. per box

### ISO-DRAWING



### PRODUCT CARE

d line products are produced from brass. To sustain the unique d line finish appearance please follow the below instructions

- Wash down the surfaces using soapy water or mild detergent
- Always thoroughly rinse off with clean water
- To complete the cleaning procedure dry/polish the surfaces with a soft dry cloth

Please do not use scouring powder, steel wool, chloride based detergents or other aggressive cleaning products as these may damage the surface.