

Fat Door Knocker

Tom Dixon Collection

d line

PRODUCT DATA SHEET

ITEM NUMBER 45.9011.01.000
SURFACE Polished brass

PRODUCT
Fat door knocker, Ø35, 140x140, cc105, brass.

PICTURE



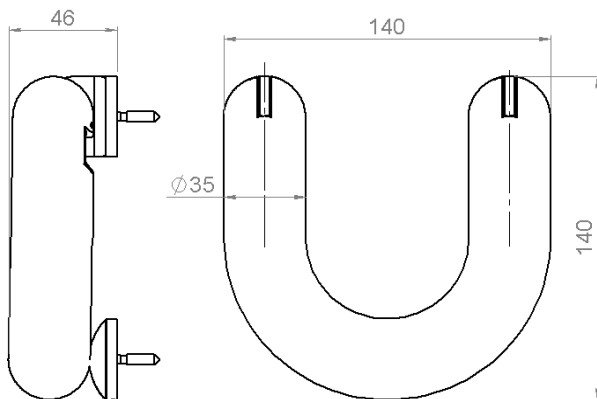
TENDER TEXT

Fat door knocker, Ø35, 140x140, cc105, brass. The FAT collection is a series of architectural hardware pieces designed by English industrial designer Tom Dixon. Angular and bulbous, the pieces are a testament to form following function, whilst maintaining a humorous silhouette and a reductionist aesthetic. FAT is part of a fuller series by Tom Dixon including dining chairs, bar stools and lounge chairs. Material: polished brass, round. Radius: Ø35. W:140 mm x H:140 mm x D:46 mm.

PRODUCT SPECIFICATION

Dimensions: W:140 mm x H:140 mm x D:46 mm.
Radius: Ø35
Material: brass
Surface finish: polished, crafted by hand
Warranty for brass parts - 20 years

DRAWING



SPARE PARTS / ACCESSORIES:

D0000008245 - Double head ended, woodscrew/M4, l=25mm.
D0000008246 - Grub screw M3x14mm.

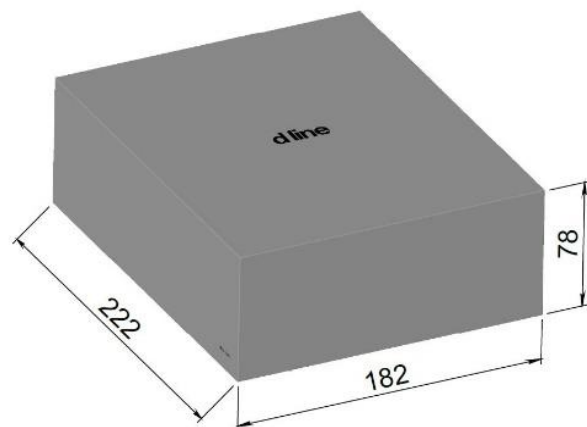
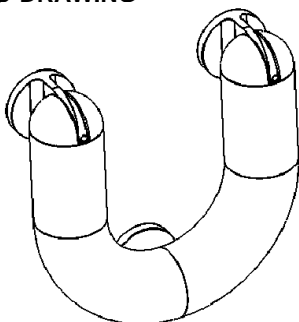
MOUNTING:

See instruction supplied with product.

PACKING:

1 pair per box

ISO-DRAWING



PRODUCT CARE

d line products are produced from brass. To sustain the unique d line finish appearance please follow the below instructions

- Wash down the surfaces using soapy water or mild detergent
- Always thoroughly rinse off with clean water
- To complete the cleaning procedure dry/polish the surfaces with a soft dry cloth

Please do not use scouring powder, steel wool, chloride based detergents or other aggressive cleaning products as these may damage the surface.